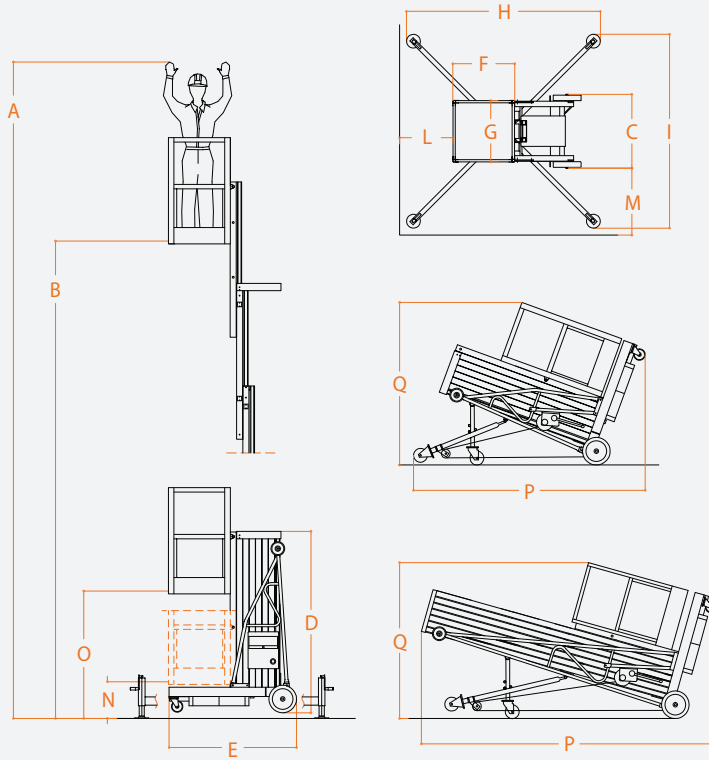




level
IŞ MAKİNELERİ

0850 969 59 79

Odunluk Mah. Lefkoşe Cad. Mıhraplı Plaza B Blok. No:9/3 Nilüfer - BURSA
www.levelmakine.com / level@levelmakine.com



SPECIFICATIONS	ÖZELLİKLER	ZP 8 200 I	ZP 8 200 E	ZP 10 200 I	ZP 10 200 E	ZP 12 200 I	ZP 12 200 E	ZP 14 200 I	ZP 14 200 E
Use	Kullanım yeri	İç	Dış	İç	Dış	İç	Dış	İç	Dış
Capacity	Kapasite	200 kg.	200 kg.	200 kg.	200 kg.	200 kg.	200 kg.	200 kg.	200 kg.
People	Kişi sayısı	2	2	2	2	2	2	2	2
Weight	Ağırlık	402 kg.	414 kg.	517 kg.	541 kg.	554 kg.	634 kg.	618 kg.	686 kg.
A	A	7,77 mt.	7,77 mt.	10 mt.	10 mt.	12 mt.	12 mt.	14 mt.	14 mt.
B	B	5,77 mt.	5,77 mt.	8 mt.	10 mt.	10 mt.	8 mt.	12 mt.	12 mt.
C	C	800 mm.	800 mm.	800 mm.	800 mm.	800 mm.	800 mm.	800 mm.	800 mm.
D	D	1980 mm.	1980 mm.	1980 mm.	1980 mm.	2600 mm.	2600 mm.	2960 mm.	2960 mm.
E	E	1380 mm.	1380 mm.	1380 mm.	1380 mm.	1380 mm.	1380 mm.	1380 mm.	1380 mm.
F	F	670 mm.	670 mm.	670 mm.	670 mm.	670 mm.	670 mm.	670 mm.	670 mm.
G	G	1060 mm.	1060 mm.	1060 mm.	1060 mm.	1060 mm.	1060 mm.	1060 mm.	1060 mm.
H	H	2100 mm.	1550 mm.	2100 mm.	3000 mm.	2550 mm.	5000 mm.	3000 mm.	5000 mm.
I	I	2100 mm.	1550 mm.	2100 mm.	3000 mm.	2550 mm.	5000 mm.	3000 mm.	5000 mm.
L	L	540 mm.	730 mm.	580 mm.	810 mm.	810 mm.	2050 mm.	810 mm.	2050 mm.
M	M	410 mm.	600 mm.	590 mm.	820 mm.	820 mm.	2040 mm.	820 mm.	2040 mm.
N	N	400 mm.	400 mm.	400 mm.	400 mm.	-	-	-	-
O	O	1380 mm.	1380 mm.	1380 mm.	1380 mm.	400 mm.	400 mm.	400 mm.	400 mm.
P	P	2550 mm.	2550 mm.	2550 mm.	2550 mm.	3000 mm.	3000 mm.	3250 mm.	3250 mm.
Q	Q	1800 mm.	1800 mm.	1800 mm.	1800 mm.	1700 mm.	1700 mm.	1700 mm.	1700 mm.